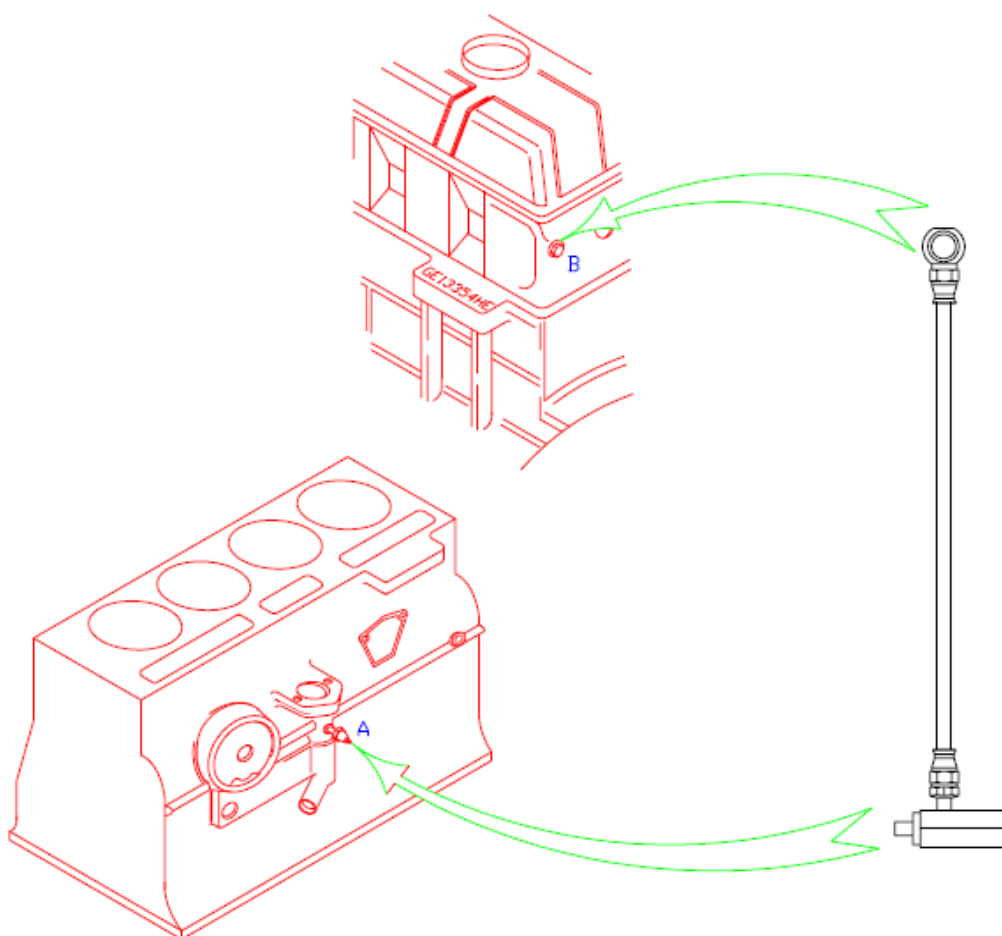


1. Remove the oil pressure switch (A)
2. Screw oil pressure switch into "T" piece.
3. Screw "T" piece into the hole that the pressure switch was fitted.
4. Remove bolt on rear of head (B)
5. Using the banjo bolt fit other end of the feed pipe to the head. Ensure there is a copper washer either side of the banjo.
6. Take care to NOT over tighten the banjo bolt.



ISSUE: 01	DRAWN BY: G JUPP	TITLE: Rocker Feed FI 37	DATE: 30/09/05
RIMMER BROS. TRIUMPH HOUSE, SLEAFORD ROAD, BRACEBRIDGE HEATH, LINCOLN LN4 2NA			REF:

QUALITY PARTS AND ACCESSORIES



Triumph House, Sleaford Road, Bracebridge Heath, Lincoln LN4 2NA, England

UK Tel: +44 (0)1522 568000 | USA Tel: 1 855 746 2767 | Fax: +44 (0)1522 567600 | E-mail: sales@rimmerbros.com

www.rimmerbros.com