

WIPER MOTOR

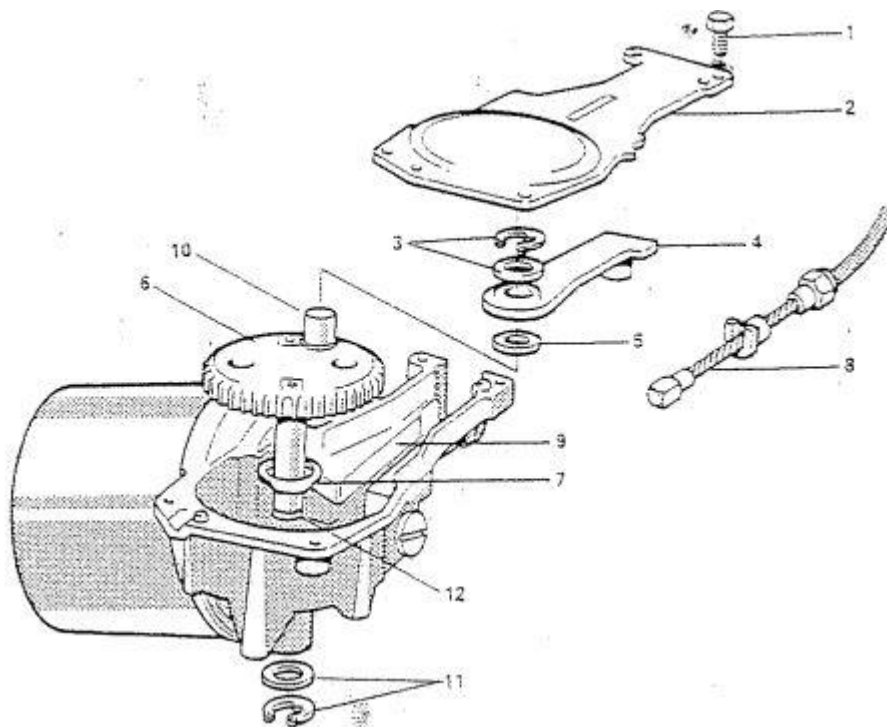
Triumph Stag

Part Number: **AEU1607R**



The wiper motor drive pinion gear (sometimes referred to as a gear heel and shaft) together with the rack slide, is not supported and is required to be transferred from the old unit.

Refer to figure and remove the four gearbox retaining screws (1) and lift away the cover (2). Release the circlip and flat washer (3), securing the connecting rod to the crankpin (10), then lift away the connecting rod (4) followed by the second flat washer (5).



QUALITY PARTS AND ACCESSORIES



Triumph House, Sleaford Road, Bracebridge Heath, Lincoln LN4 2NA, England

UK Tel: +44 (0)1522 568000 | USA Tel: 1 855 746 2767 | Fax: +44 (0)1522 567600 | E-mail: sales@rimmerbros.com

www.rimmerbros.com

Release the circlip and washer (11) securing the shaft and gear to the gearbox body. Remove any burrs from around the circle groove (12). Lift away the gear wheel and shaft (6) making a careful note of location of the dished washer (7).

Inspect the gear wheel and shaft (6) for signs of excessive wear or damage and fit a new one is necessary. Lift out and transfer to the wiper motor the rack slide (9).

Reassemble components to the wiper motor in the reverse procedure to dismantling.

Before fitting the wiper motor, a check should be made of the vehicle wiper system, i.e., 'wheel box' and 'drive-rack' (8) for freedom of movement, and to ensure no strain or damage has occurred which will affect performance.

RECOMMENDED USE OF WIPERS AFTER FITTING REPLACEMENT WIPER MOTOR

1. Wipers should not be run continuously on a 'dry' screen.
2. Clear all snow, etc. from windscreen before operating wipers.
3. Release frozen wiper blades from windscreen before operating result in premature wiper motor failure which may invalidate the warranty.

QUALITY PARTS AND ACCESSORIES



Triumph House, Sleaford Road, Bracebridge Heath, Lincoln LN4 2NA, England

UK Tel: +44 (0)1522 568000 | USA Tel: 1 855 746 2767 | Fax: +44 (0)1522 567600 | E-mail: sales@rimmerbros.com

www.rimmerbros.com