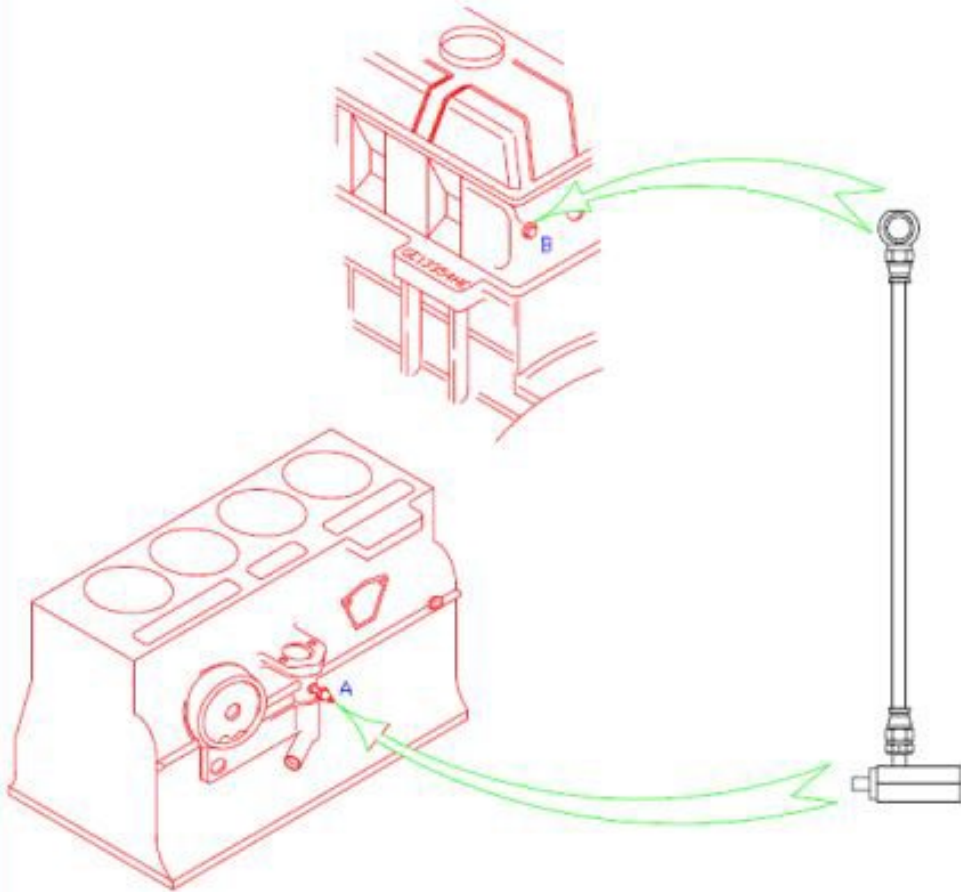


1. Remove the oil pressure switch (A)
2. Screw oil pressure switch into "T" piece.
3. Screw "T" piece into the hole that the pressure switch was fitted.
4. Remove bolt on rear of head (B)
5. Using the banjo bolt fit other end of the feed pipe to the head. Ensure there is a copper washer either side of the banjo.
6. Take care to NOT over tighten the banjo bolt.



ISSUE: 01	DRAWN BY: G JUPP	TITLE: Rocker Feed FI 37	DATE: 30/09/05
RIMMER BROS. TRIUMPH HOUSE, SLEAFORD ROAD, BRACEBRIDGE HEATH, LINCOLN LN4 2NA			REF:

Quality Parts and Accessories for



Triumph House, Sleaford Road, Bracebridge Heath, Lincoln LN4 2NA, England  
 Telephone: 01522 568000 | E-mail: customer.services@rimmerbros.com

[www.rimmerbros.com](http://www.rimmerbros.com)

[Type here]

Quality Parts and Accessories for



Triumph House, Sleaford Road, Bracebridge Heath, Lincoln LN4 2NA, England  
Telephone: 01522 568000 | E-mail: [customer.services@rimmerbros.com](mailto:customer.services@rimmerbros.com)

[www.rimmerbros.com](http://www.rimmerbros.com)

Registered in England No. 2155394



A BRITISH COMPANY SUPPORTING BRITISH CARS

Quality Parts and Accessories for



Triumph House, Sleaford Road, Bracebridge Heath, Lincoln LN4 2NA, England  
Telephone: 01522 568000 | E-mail: [customer.services@rimmerbros.com](mailto:customer.services@rimmerbros.com)

[www.rimmerbros.com](http://www.rimmerbros.com)

Registered in England No. 2155394



Quality Parts and Accessories for



Triumph House, Sleaford Road, Bracebridge Heath, Lincoln LN4 2NA, England  
Telephone: 01522 568000 | E-mail: [customer.services@rimmerbros.com](mailto:customer.services@rimmerbros.com)

[www.rimmerbros.com](http://www.rimmerbros.com)

Registered in England No. 2155394

[Type here]

Quality Parts and Accessories for



Triumph House, Sleaford Road, Bracebridge Heath, Lincoln LN4 2NA, England  
Telephone: 01522 568000 | E-mail: [customer.services@rimmerbros.com](mailto:customer.services@rimmerbros.com)

[www.rimmerbros.com](http://www.rimmerbros.com)

Registered in England No. 2155394