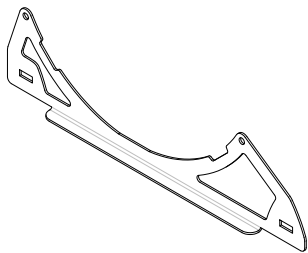


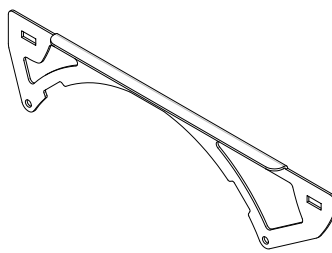
KIT CONTENTS



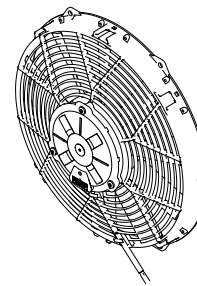
CORNER BRACKET
Part No. '130203'
x4



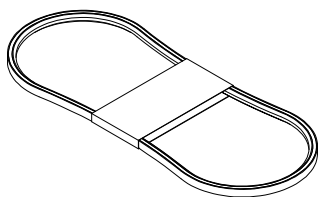
BOTTOM BRACKET
Part No. '130204'
x1



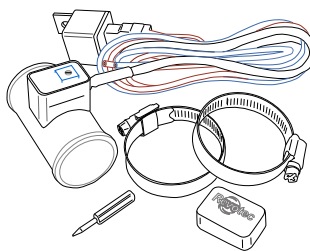
TOP BRACKET
Part No. '130202'
x1



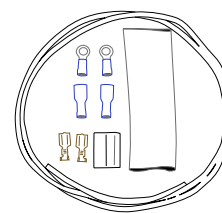
11" SUCTION FAN
Part No. 'FAN0153HP'
x1



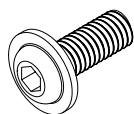
BELT
Part No. 'GCB10737'
x1



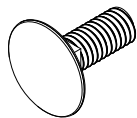
ELECTRONIC FAN CONTROLLER
Part No. 'EFC'
x1



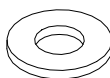
EARTH KIT
x1



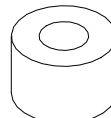
M6x20 FLANGE
BOLT x4



M6x20 COACH
BOLT x4



M6 WASHER
x8



M6 4mm SPACER
x4



M6 NYLOC
x8

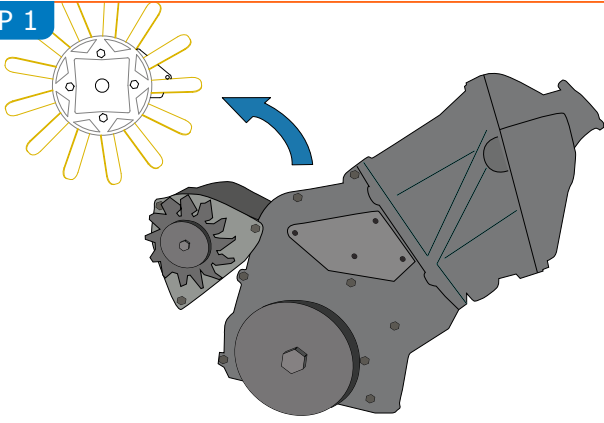
SIGNED OFF BY: _____ DATE: _____

IMPORTANT NOTES

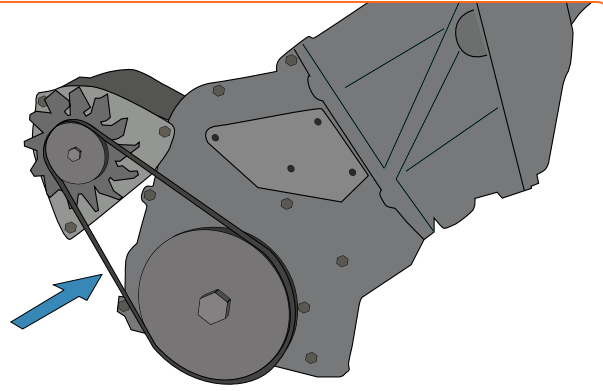
This Revotec cooling kit has been engineered to provide perfect cooling for your Triumph Dolomite Sprint. However it is essential that the other components in the cooling system are operating correctly. The following must be checked:

- 1.The radiator has a normal life expectancy of approximately 8-9 years, after this time it should be thoroughly assessed and any signs of deterioration, such as furring up internally or distortion, a replacement is recommended.**
- 2.The radiator fins must be clear of all debris such as mud and leaves.**
- 3.The system must be filled with the correct coolant.**
- 4. The water pump and thermostat must be operating correctly.**
- 5. This kit is designed to fit original, unmodified vehicles only.**

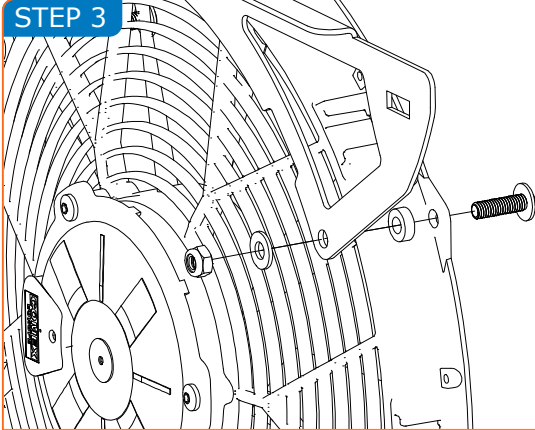
Installations are to be undertaken by a competent vehicle mechanic.
If in doubt, consult a qualified professional.
Always work in a safe environment and wear PPE where necessary.
Disconnect the vehicle battery before beginning installation.
Failure to comply with the above may result in your warranty being void.

STEP 1

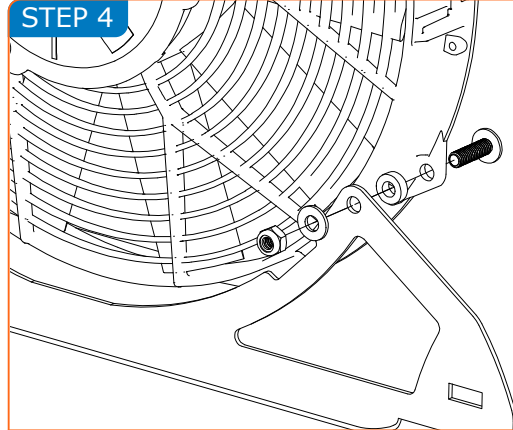
Loosen and remove fan belt and OE fan assembly, including viscous drive, pulley and the assembly mounting plate.

STEP 2

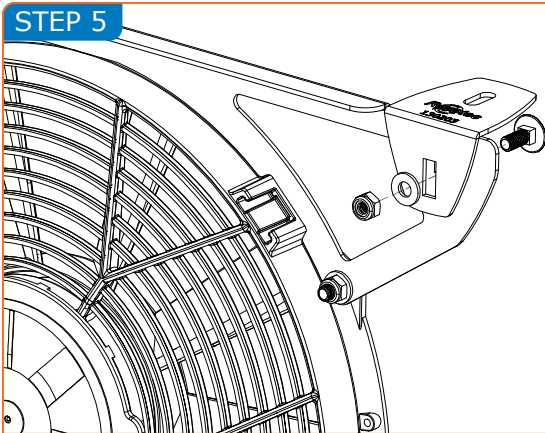
Replace the OE fan belt with the supplied GCB10737 belt and retighten.

STEP 3

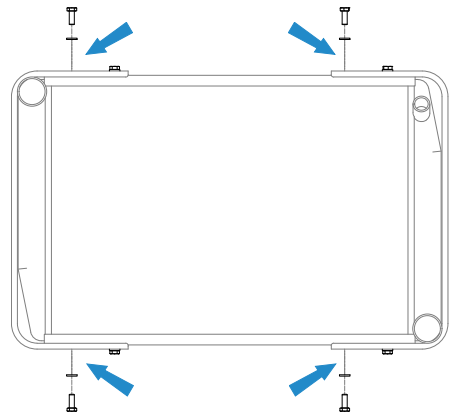
Bolt bracket 130202 (top) to the 11" fan body. Ensure the spacers on the flange bolts, between the brackets and fan shroud. A washer is positioned after the bracket, with a lock nut to secure. Bracket folded edge faces away from the fan.

STEP 4

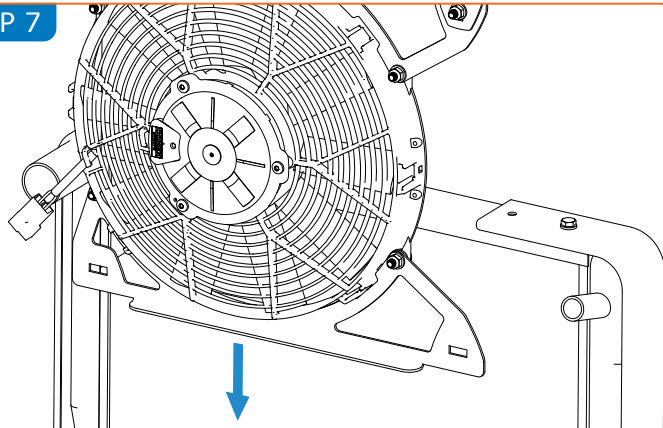
Bolt bracket 130204 (bottom) to the 11" fan body. Ensure the spacers on the flange bolts, between the brackets and fan shroud. A washer is positioned after the bracket, with a lock nut to secure. Bracket folded edge faces away from the fan.

STEP 5

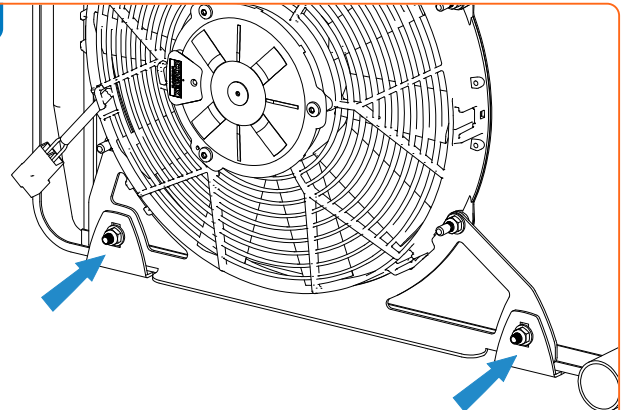
Attach the four 130203 corner brackets to the top and bottom brackets using coach bolts, washers and lock nuts. Do not tighten nuts at this stage (to allow for adjustment).

STEP 6

Remove the bolts shown above from the radiator.

STEP 7

Lower the fan assembly into place, replace the radiator top bolts loosely.

STEP 8

Attach lower right angled mounting brackets to lower shroud mount and radiator. Align so that the base of the shroud sits on the lip of the radiator core surround. Fully tighten all fixings. Ensure no deformation to fan shroud. Refer to included Revotec EFC document for fan controller connection and setup.