



# RIMMER BROS



BRITISH MOTOR HERITAGE  
MEMBER SINCE 1998

QUALITY PARTS FOR TRIUMPH

Rimmer Brothers Limited · Triumph House · Sleaford Road · Bracebridge Heath · Lincoln LN4 2NA  
Telephone: 0522 588000 · Fax: 0522 587500

## ALTERNATOR CONVERSION FITTING INSTRUCTIONS

- 1 First disconnect the battery.
- 2 Remove the existing dynamo and brackets.
- 3 Assemble the new alternator mounting brackets (see diagram 1) and check that the new bracket fits flush to the engine front plate. It is possible the timing cover fixing screws may need filing back to allow the bracket to fit squarely to the block/cover.
- 4 The bracket fits together as diagram with the spigot of the large spacer fitting into the front plate.
- 5 Fit the new fan belt and tension up as required. Tighten all mounting bolts.
- 6 Fit the large spade connector to the heavy duty cable and the small spade to the light duty cable. Assemble the Lucas ACR connector and plug into the alternator.
- 7 The old dynamo control box is to be used as a junction box (see diagram 2). It is necessary to link the '+' terminal and the 'D' terminal as diagram. Also disconnect the field 'F' terminal and the warning light wire 'wl' and link them together, but not through the regulator box.

DIAGRAM 1

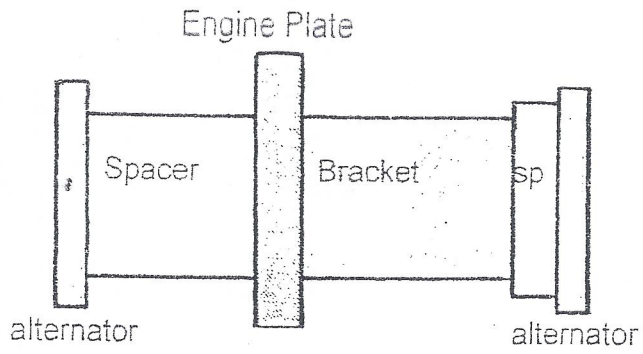


DIAGRAM 2

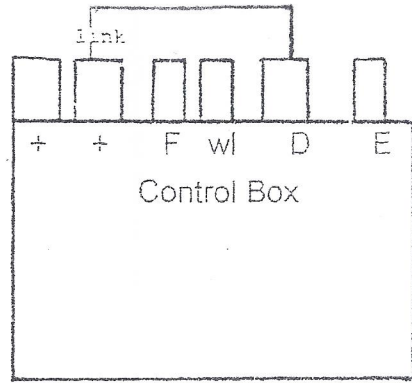


DIAGRAM 3

